

Road Light

Instruction manual

For retention and reference

● Installation of this product/ luminaire must be carried out by a qualified electrician in accordance with the national, local electric and construction codes and regulations. Installation by unqualified person is prohibited by law.

| Product name | Power | Rated voltage | Rated current | frequency | Weight |
|--------------------------|-------|---------------|---------------|-----------|--------|
| LLF0017A/LEN1/104/E/IN/A | 90W | 220V~ | 0.42A | 50/60Hz | 5.0kg |
| LLF0017A/LEN1/80/E/IN/A | 70W | 220V~ | 0.32A | 50/60Hz | 4.9kg |
| LLF0017A/LEN1/72/E/IN/A | 42W | 220V~ | 0.19A | 50/60Hz | 4.7kg |

| | |
|--|------------------------|
| Overall dimensions | 486mm × 277mm × 86mm |
| Maximum projected area | 0.033m ² |
| IP classification | IP66 |
| IK classification(Glass cover) | IK08(Cover glass only) |
| Operating ambient temperature | - 20~55℃ |
| Mounting height | 6~12m |
| Mounting device(Side-entry for diameter) | Φ60.5mm × 100mm |

Installation instructions

Installer, please save a copy this instructions manual for retention and reference by the end user.

Attention at installation



WARNING

Incorrect handling of this product may cause serious personal injury, death and/ or damage to the product and property.

- Please ensure installation is in accordance with mounting instruction. -Risk of product fall or fire.
- Do not use the product under the following environment and situation. It will cause electric shock and fire.
The unit will fall or not operate if not installed properly:
 - Place exposed directly to organic solvent (Acetone, Ethyl ether, Hexane, etc.).
 - Place where corrosive gas (Hydrogen sulfide, Chlorine, Ammonia, etc.) and flammable gas (Hydrogen, Methane, etc.) is present.
 - Places where flammable liquid (Gasoline, Kerosene, Fuel oil, etc.) is used.
 - Places where humidity exceeds 90% or the product is affected by flood.
 - Places covered by heat insulator and combustible material.
 - Places where the product is buried under snow.
- Don't set it up in the place where the hazard is caused when the icicle drops. It causes the injury by the icicle fall.
- The insulation of the AC cable connected to the luminaire must be free from damage or cracks. -Risk of electric shock and fire.
- Do not disassemble this product, repair or replace any of its components. -Risk of electric shock, fire or the product fall.
- Do not use the product when broken or appears damaged in any way. -Risk of product fall, electric shock and fire.
- Please use the cable indicated on operation method with the performance beyond equality for a used cable.
It causes the electric shock, a fire, not lighting when other cables are used.
- When abnormality occurs, turn off the power immediately and contact your distributor for assistance. Continued use of the product risks electric shock and fire.
- Do not connect to power source other than specified for the product. -Risk of electric shock, fire and product will not illuminate.
- Front glass may be broken if a strong shock is applied.
Please be careful handling so as not to scratch it when carrying or installing the instrument.



CAUTION

There is a possibility that it is assumed to owe injury.

- IP classification is IP66. It can not be used as more than IP66 and underwater lighting equipment.
- Wind pressure resistance is 60m/s. Risk of product fall.
- Be sure to turn off the power supply during product installation or removal. There is a possibility that the product is damaged when the installation or removal of the lighting is done with the power supply turned on. It causes the electric shock, and a fire.
- The surface of the product becomes a high temperature immediately after lighting and turning off. Please note it enough.
- Please don't use for a hot spring including sulfur constituent. The brightness becomes dark and causes a life expectancy decline.
- Please don't install apparatus for the sun. Sunlight concentrates, and an LED is damaged and causes the not lighting and fire.

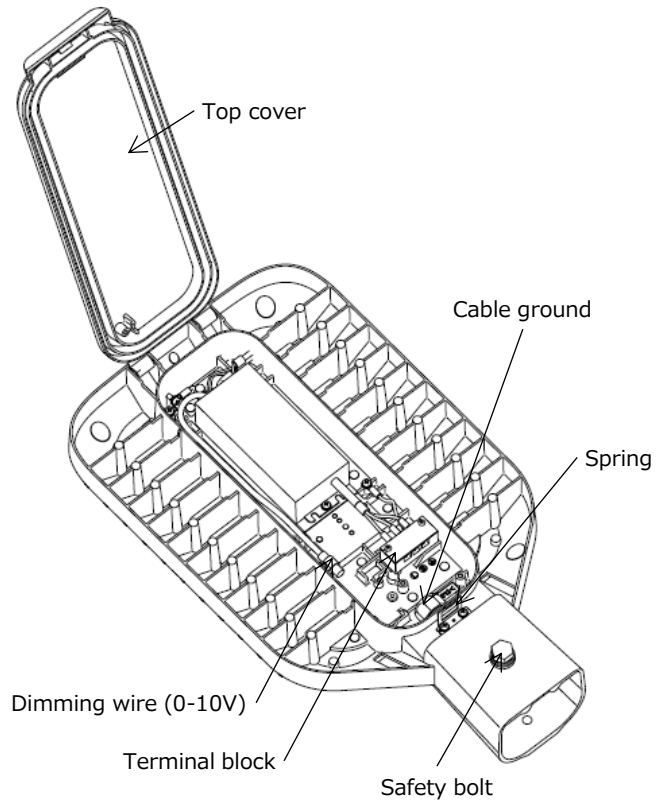
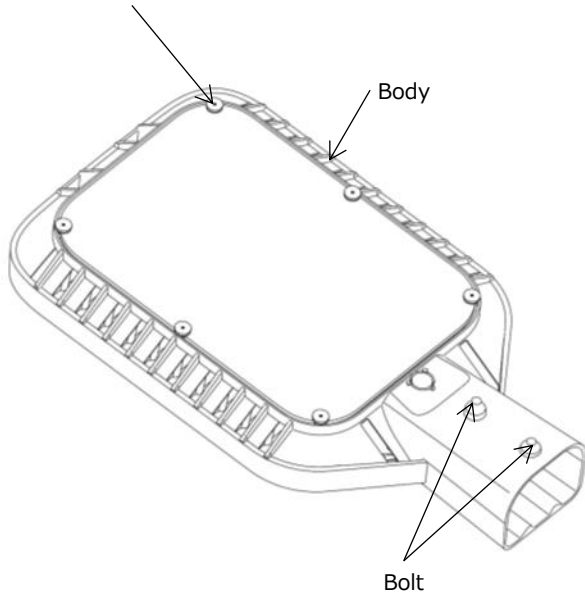


Caution, risk of electric shock

The light source and control gear contained in this luminaire shall only be replaced by the manufacturer or his service agent or a similar qualified person.

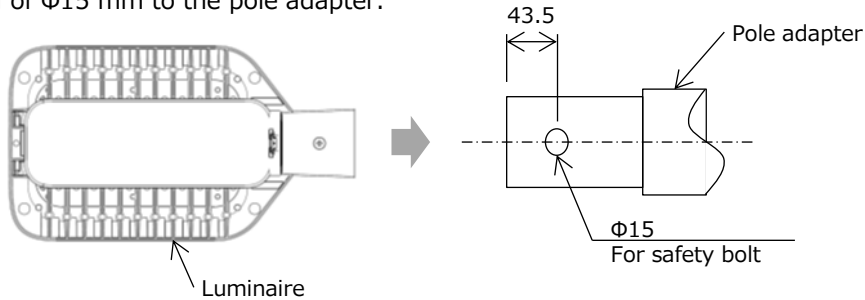
Part name

Screw for cover glass
※ Do not loosen



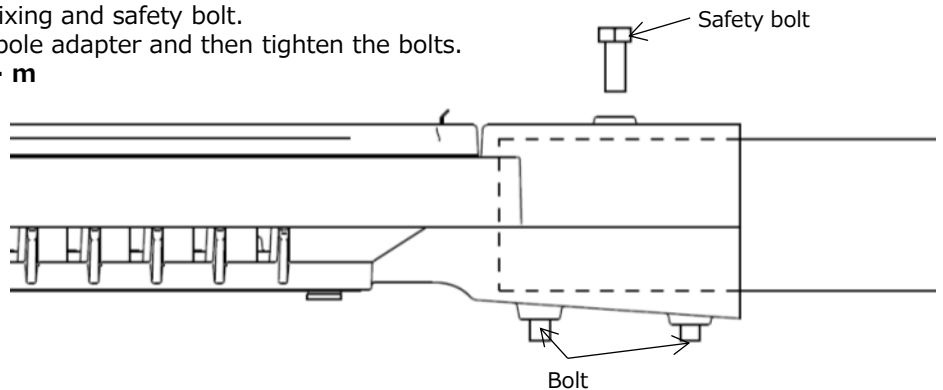
Check the pole adapter

Because it will cause falling of Luminaire, please process according the following;
Apply hole processing of $\Phi 15$ mm to the pole adapter.



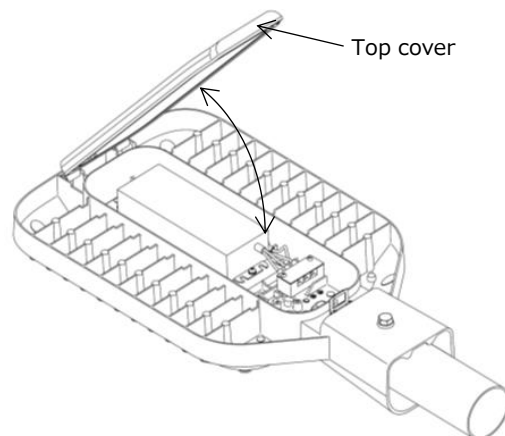
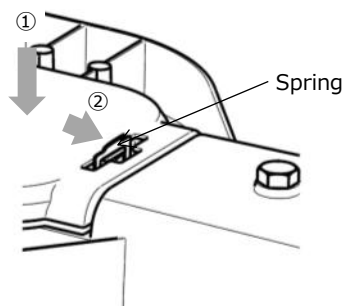
Installation of luminaire

1. Loosen the two M8 bolts for fixing and safety bolt.
Insert the luminaire into the pole adapter and then tighten the bolts.
Tightening torque: 12.5 N · m



Installation of luminaire

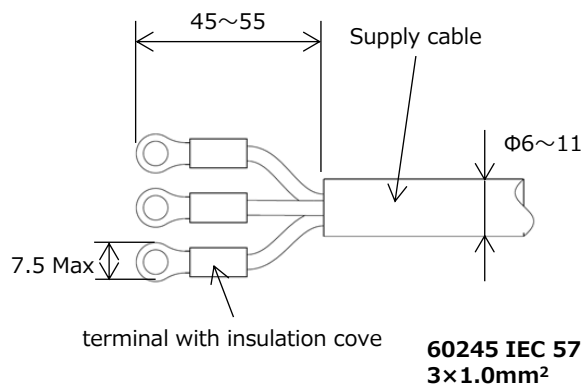
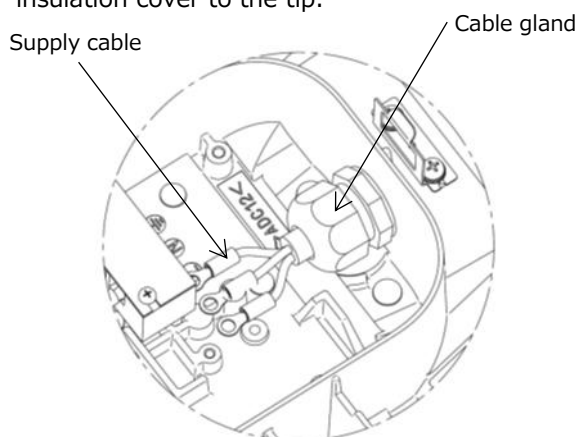
- Open the top cover.
Please push down the top cover, and remove the spring in the direction of arrow ②.



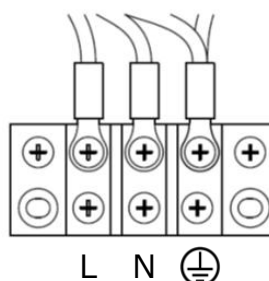
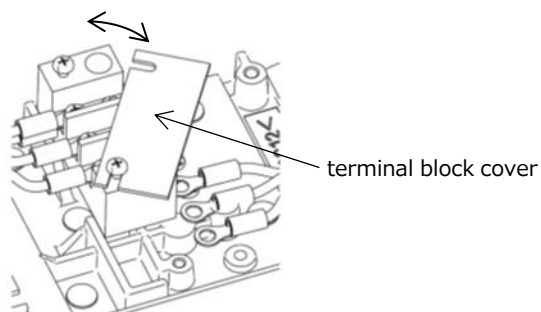
Wiring

- Pull the supply cord from the inside of the pole into the luminaire and insert the supply cable loosening the cable gland.
After inserting, tighten the cable gland with the following torque.
Failure to do so may result in dropped electric wires, electric shock, and electric leakage.
Tightening torque: 2.2~3.0N·m

- Please use the 3-core cable of 60245 IEC 57 for the supply cable and be sure to crimp the terminal with insulation cover to the tip.



- Loosen the screw on the terminal block cover and remove the cover.
- Connect the supply wire securely to the terminal block.
Failure to do so may result in dropped electric wires, electric shock, and electric leakage.
Tightening torque: 0.6N·m

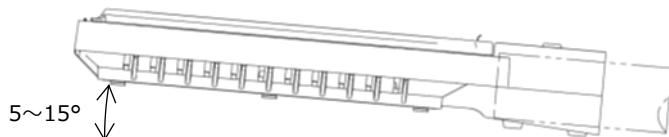


Wiring

5. Return the terminal block cover and tighten the screws.
Tightening torque 0.3N·m
6. Close the top cover.
Be sure to check that it is locked by spring.

Mounting direction

It is an appliance dedicated for downward irradiation installation.
It can not be mounted in a state such as upward, sideways, hanging.



Installation instructions

Dear customer, please retain this instruction manual.

Handling notes



WARNING

Incorrect handling of this product may cause serious personal injury, death and/ or damage to the product and property.

- When servicing this luminaire, please strictly follow the instructions in the manual.
- Always turn OFF the power before performing and maintenance.
- Do not disassemble this product, repair or replace any of its components. - Risk of electric shock, fire or the product fall.
- This luminaire uses high bright LED. Do not look directly at light source, it may harm your eyes.



Caution, risk of electric shock

The light source and control gear contained in this luminaire shall only be replaced by the manufacturer or his service agent or a similar qualified person.



CAUTION

Risk of personal injury when the product is not handled correctly

- Always turn off the power supply and allow the product to cool sufficiently before performing any maintenance
- At higher ambient temperature, life span will be shortened.
- When abnormality occurs, turn off the power immediately and contact your distributor for assistance. Continued use of the product risks electric shock and fire.
- Please do not light up during daytime, except for lighting checks and confirmation.
The internal temperature of the luminaire will rise if operate under direct sunlight.
- When using in snowy condition, please clear snow to prevent the luminaire from being buried in snow .
- It is recommended to clean the glass cover annually. Brightness is reduced when dirt adhered to the glass cover.
The brightness will return to the original state when the dirt is wiped off.
- Please inspect the luminaire once a year to ensure safe usage.
- Please have the luminaire inspected by a specialist, such as an electrical contractor once every 3 years.
(The luminaire requires thorough inspection when used for 3 years or more.)
Under abnormal operation, there is risk of electric shock and/or the luminaire may fall from the installed location.
- Please understand that the color and brightness may differ between luminaires even for the same model because of variation in LED chips.

Care for your equipment

- Be sure to turn off the power before performing any cleaning.
As the product may be hot after switching off, please wait for a brief interval(20~30 minutes) before cleaning.
- To wipe off dirt on the surface of equipment or cover, use a damp soft cloth
(Squeezed off after soaking in water or Neutral soap water).
- Please do not wipe with thinner, benzene acid, or alkali detergent. It will cause discoloration and the deformation.
- Do not spray water directly on the luminaire with a hose, or clean with a mop or floor brush etc...
It can cause water ingress and or damage to the luminaire.

Warranty

- After receiving, please perform an acceptance inspection promptly and verify the product performance.
If we do not receive report of any problem, we would assume that the product has passed your acceptance inspection.
- The warranty period is stated in the warranty card. We warrant the product is free from defects in manufacturing, materials and workmanship. We may replace your defective product with a similar or improved product at our option. In no event shall we be liable for any special, incidental, consequential or indirect damages.
- The warranty does not cover the followings:
 - ① Failure caused by improper handling and/or misuse.
 - ② Failure caused by alteration to the product and repair by any authorized person.
 - ③ Failure caused by operating in environment and conditions, outside the product specifications.
 - ④ Failure caused by the natural disasters (Fire, Earthquake, Typhoon, etc.)
 - ⑤ Failure caused by dew/ condensation when in operation/ storage temperature and conditions outside the product specifications.
 - ⑥ Failure caused by electrical stress such as excessive voltage surge, including lightning.
- When the root cause of failure could not be determined, both parties should negotiate in good faith for a settlement.
- This product is intended as a light source for illumination applications. We do not assume any responsibility for any damages caused operating the product outside its intended use.

For replacement

- During the warranty period, please produce the proof of purchase date to the distributor(constructor)
- When the warranty period has expired, please consult your distributor(constructor) for replacement.
At your request, we will replace the product at your cost.
- For after-sales service, queries, consultation and replacement, please contact the distributor from which the product was purchased or contact us.
At that time, please inform us of the name of the equipment and the date of purchase.

For product enquiry

- For enquiry, please quote us the product model found on the label on the product.
- Our phone numbers printed in this manual may change. Please visit our homepage for the latest contact information.

ASIAN STANLEY INTERNATIONAL CO.,LTD.

48/1 Moo 1 Kukwang Ladlumkaew, Pathumthanee 12140 Thailand
TEL : +66 2 599 1260c

STANLEY ELECTRIC CO.,LTD.

Yokohama Satellite Center : 2-14-1 Edanishi, Aoba-ku, Yokohama-shi, Kanagawa, 225-0014 Japan
TEL : +81 45 910 6629

Head office : 2-9-13 Nakameguro, Meguro-ku, Tokyo, 153-8636 Japan
TEL : +81 3 3710 2222