

Control gear incorporated in LLF0113A

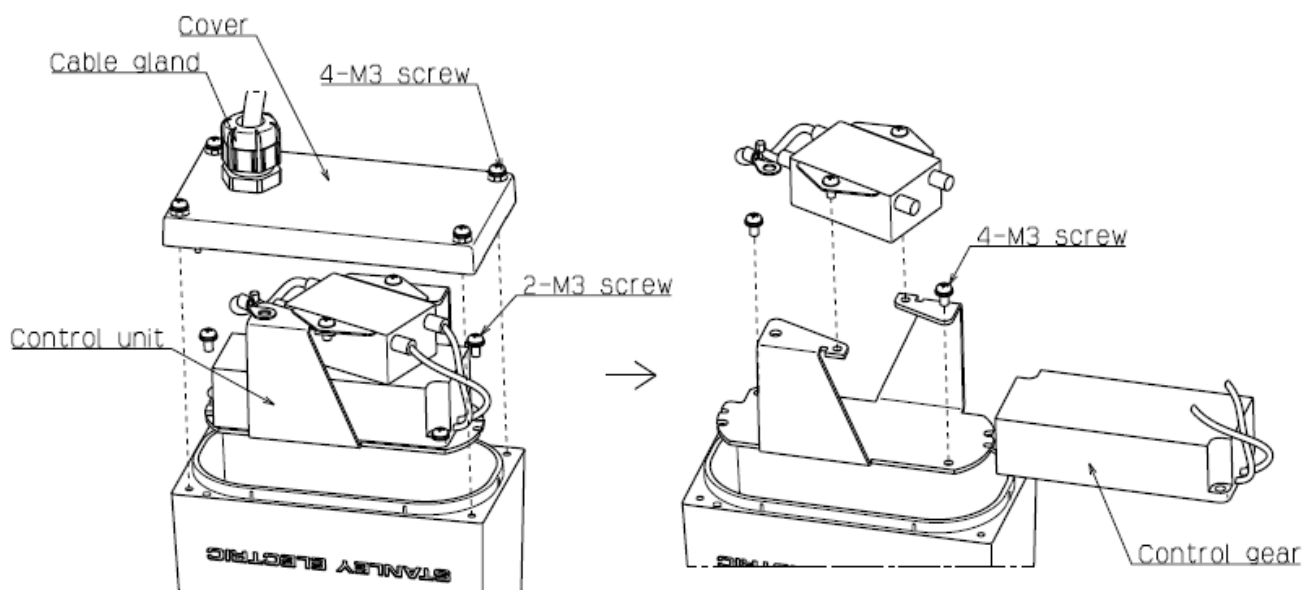
Model identifier	PU012A012AP
Maximum output power	12 W
Type of light source(s) for which it is intended	LED
Efficiency in full-load	83 %
No-load power (P_{no})	NA ※Not intended to operate in no-load mode
Standby power (P_{sb})	NA
Networked standby power (P_{net}),	NA
Dimming	Not suitable
Outer dimensions	85 mm x 35 mm x 23 mm
Mass	115 g
Instructions on how to remove lighting control parts and/or non-lighting parts, if any, or how to switch them off or minimize their power consumption	NA
List of compatible dimmable light sources	NA
Recommendations on how to dispose of it at the end of its life in line with Directive 2012/19/EU.	This product is separately collected WEEE. Remove the external electric cable before disposing. The cable shall be disposed of or recovered in compliance with Directive 2008/98/EC
Replaceability or non-replaceability by end-users or qualified persons without permanent damage to the containing product	Replaceable

Dismantling procedure from containing products at end of life

Step 1) Loosen the cable gland

Step 2) Loosen the four screws and remove the control unit

Step 3) Cut the wire and remove the control gear from control unit



※The above is the product information based on Article 4 2019/2020 and Point 3(c) of Annex II 2019/2020

Light sources incorporated in LLF0113A

Model identifier	<p>LLM0113A/LS 22X S-16614A LLM0113A/LS 27X S-16614A LLM0113A/LS 30X S-16614A LLM0113A/LS 40X S-16614A LLM0113A/LS 50X S-16614A LLM0113A/LS 57X S-16614A LLM0113A/LS 65X S-16614A</p> <p>LLM0113A/LS 27X S-16615A LLM0113A/LS 30X S-16615A LLM0113A/LS 40X S-16615A LLM0113A/LS 50X S-16615A LLM0113A/LS 57X S-16615A LLM0113A/LS 65X S-16615A</p>
The reference control settings, and instructions on how they can be implemented, where applicable	NA
Instructions on how to remove lighting control parts and/or non-lighting parts, if any, or how to switch them off or minimize their power consumption	NA
If the light source is dimmable: a list of dimmers it is compatible with, and the light source	NA
Recommendations on how to dispose of the light source at the end of its life in line with Directive 2012/19/EU	<p>This product is separately collected WEEE. There are no components to remove from separately collected WEEE according to Article 8.</p>
Replaceability or non-replaceability by end-users or qualified persons without permanent damage to the containing product	Non-replaceable
<p>Dismantling procedure from containing products at end of life</p> <p>The luminaire housing is glued to provide effective protection. When removing the light source, warm the glued part between the housing and the cover to 80 °C or higher and melting the glue.</p>	

※The above is the product information based on Article 4 2019/2020 and Point 3(c) of Annex V 2019/2015

Revision history

REVISIONS	DATE	REV. BY
New document issue	2021-08-31	T.UCHIYAMA
Added light source information of middle angle type	2021-11-09	T.UCHIYAMA