

# LED module

## LLM1389A Line shape light distribution Instruction Manual

For Storage

- The installation of the equipment requires a qualified electrical engineer.  
Be sure to ask an electrical shop to perform the installation. Wiring work by an unqualified person is prohibited by law.

Product Name	1/2 beam angle Short dir.	1/2 beam angle Long dir.	Light Color	Color Rendering Index	Control system	Certification	Body Color
LLM1389A/LIGHTING EQU30	2.5°	70°	3000K	Ra80	ON-OFF Non dimming	CE	Black
LLM1389A/LIGHTING EQU40			4000K	Ra70			
LLM1389A/LIGHTING EQU50			5000K				
LLM1389A/LIGHTING EQU60	2.8°	78°	Red	-			
LLM1389A/LIGHTING EQU70	2.5°	76°	Green				
LLM1389A/LIGHTING EQU80			Blue				
LLM1389A/LIGHTING EQU90	2.8°	70°	Amber				

- This product is a built-in LED module. The product cannot be used with the product exposed.  
However, this does not apply if additional parts are used to protect the electrical wires on the back so that they do not become accessible.
- In order to use it, a constant current control gear for lighting is required separately from this product.
- If necessary, please purchase the optional stand (LLM0854A/BRACKET3) sold separately.
- The product is not protected against lightning surge. Please purchase a SPD (Lightning Surge Protection Device) as necessary.
- CT3000K~5000K type contains a light source of energy efficiency class <G> based on (EU)2019/2015.

CT	Light source name	energy efficiency class
3000K	LLM1389A/LS 30X S-15681A	<G>
4000K	LLM1389A/LS 40X S-15681A	<G>
5000K	LLM1389A/LS 50X S-15681A	<G>

### ● Product Summary

SPEC	3000K~5000K	Red	Green	Blue	Amber
Rated constant input current	0.7A				
Forward voltage	7.6~10Vdc	5.7~8.7Vdc	8.4~11.5Vdc	8.6~11.7Vdc	7.8~10.9 Vdc
Rated wattage	6.0W	4.9W	6.6W	6.8W	6.2W
IP Rating	IP65				
Rated maximum temperature T <sub>c</sub>	75°C				
Operating Temperature Range	-30~50°C				
Mass	230g				
Dimension	W98mm H91mm D53mm				

### Construction

Leave the instructions for users/customers for future reference.



### WARNING

Failure to comply with the following installation instructions may result in death or serious injury.

- This product must be installed in accordance with the installation instructions to avoid malfunction, product fall, electrical shock or fire.
- Do not use the product in the following environment or situation. It may cause fall of the product, electric shock or fire.
  - Places where the humidity exceeds 90% RH or the product is covered with water.
  - Places where vibration or shock are transmitted to the product, e.g. where the crane is installed.
  - Places where products are directly exposed to organic solvents (acetone, ethyl ether, hexane, etc.)
  - Places filled with corrosive gas (hydrogen sulfide, ammonia, etc.) and flammable gas (hydrogen, methane, propane, etc.)
  - Indoor pools where chlorine is used.
  - Places where flammable liquid (gasoline, kerosene, heavy oil, etc.) is used.
  - Places where there is much oil mist, e.g. metal working plants, kitchens, etc.
  - Place with much mine dust.
  - Places covered with heat insulating materials or combustibles.
  - Places where products are buried in snow.
- Do not disassemble or modify the product. It may cause fall of the product, electric shock or fire.
- Do not remove the vent filter and give shock to the product to avoid water intrusion.
- Do not operate the product when it is damaged. It may cause fall of the product, electric shock or fire.
- If there are abnormalities found in the product such as smoke or unusual odor, disconnect power immediately and contact dealers.

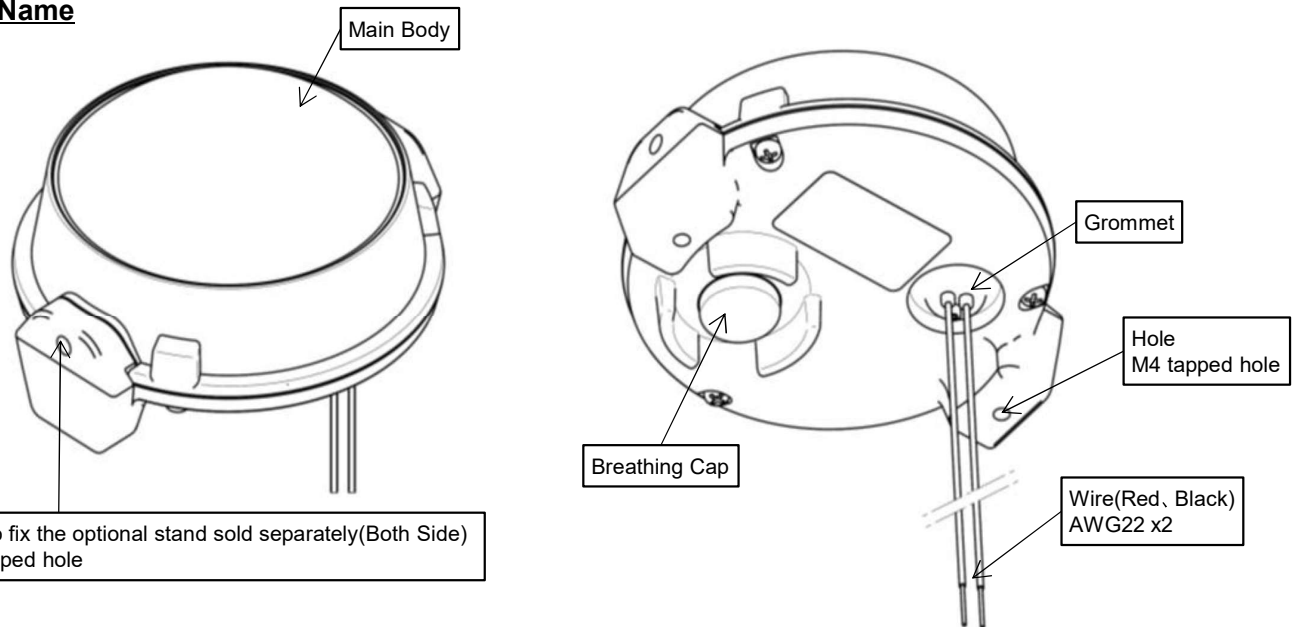


## CAUTION

Failure to comply with the following installation instructions may result in injury or property damage.

- This product is a built-in LED module. The product cannot be used with the product exposed. However, this does not apply if additional parts are used to protect the electrical wires on the back so that they do not become accessible.
- The product surface is hot in the condition where it is turned on or immediately after it is turned off. Touching the surface may cause a burn injury. So, careful handling is required.
- A high brightness LED is used as a light source. Do not look directly at the light source (LED).
- Use a control gear with output characteristics that correspond to the rated constant current and forward voltage listed in the Product Summary of this document. Use of the product with an unspecified current or voltage may cause electric shock or fire.
- Use within the specified operating temperature range and rated maximum case temperature  $T_c$ . Failure to comply with them may reduce the life of the product and cause electrical shock or fire.
- Do not install the product in places containing sulfur component such as hot spring.
- Do not install the product towards the sun. Concentrated sunlight may damage the LED and result in malfunction or fire.
- When wiring, please do not handle such as pulling electric wire and grommet part. Also, please do not apply tension to the wire.
- Do not deliberately touch or remove the breathing cap and the screws attached to the back of the product.  
It may cause waterproofness to be impaired.
- Observe the following installing conditions when installing this product.
- When using this product in a luminaire, confirm compliance with the technical standards required for the luminaire.

### Part Name



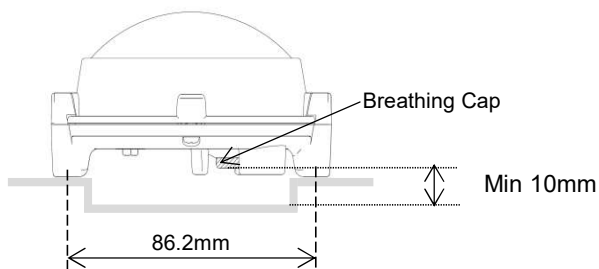
### Installation procedure

#### 1. Check point before installation

- Check that the grommet is properly fitted.

#### 2. When mounting the product directly on the structure

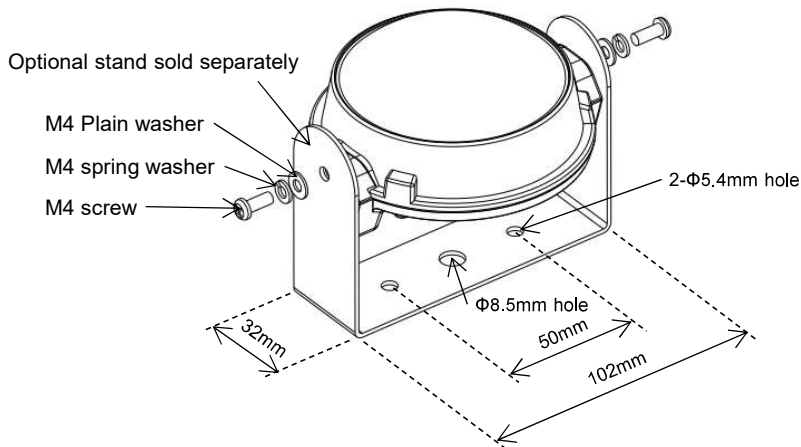
- Tighten the screw with the hole (M4 tapped hole). (M4 screw  $\times$  2/product) (recommended torque:  $0.8 \text{ N}\cdot\text{m}$ )
- Be careful not to hold the wire between the product to mounting surface.
- Keep a space of 10 mm or more between the breathing cap and the mounting surface.



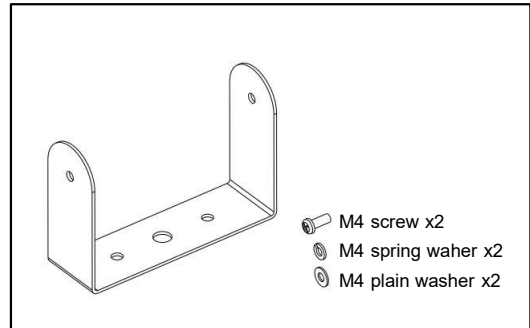
## Installation procedure(continued)

### 3. When mounting the product using the optional stand sold separately

- Tighten the screw with the hole (M4 tapped hole). (M4 screw × 2/Product)  
(Recommended torque: 0.8 N•m)



Optional stand sold separately  
Name : LLM0854A/BRACKET3



## Electrical connection

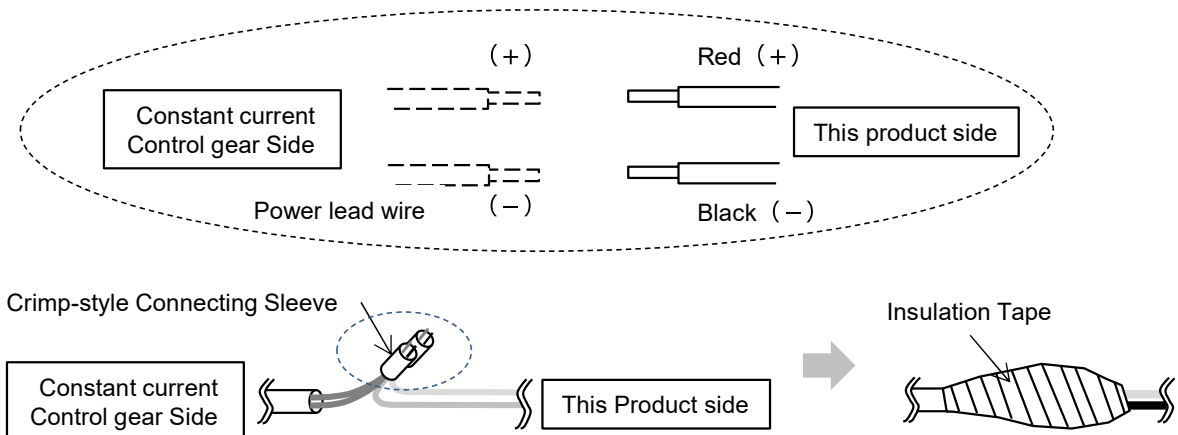
### 1. Check point before connecting

- To ensure safety, please turn off the switch of the control gear breaker and the control gear switch.
- Be sure to turn off the power before installing or removing the product.  
Installing, removing, or reconnecting the product without turning off the power may cause damage to the product and the control gear. It may also cause an electric shock or fire. So, please do not perform such actions.

### 2. Connecting to the control gear

- Connect to a control gear with output characteristics corresponding to the rated constant input current and forward voltage of the product.
- Connect the lead wire of the control gear and extension harness by crimp-style connecting sleeve, checking polarity of each side, waterproofing with self-adhesive tape and insulating by insulation tape is required.
- Waterproof the connection parts if necessary.

[ Details of the connection part with the constant current control gear side for lighting ]



Installation

Leave the instructions for users/customers for future reference.



**WARNING**

Failure to comply with the following installation instructions may result in death or serious injury.

- This product must be cleaned in accordance with the installation instructions to avoid fall of product, electrical shock or fire.
- Turn off the power before cleaning the product.
- Do not repair, disassemble, or modify the product.

**CAUTION**

Failure to comply with the following installation instructions may result in injury or property damage.

- A high brightness LED is used as a light source. Do not look directly at the light source (LED).
- Turn off the power and leave the product until it becomes ordinary temperature before cleaning to avoid a burn.
- High ambient temperature can reduce the product life.
- If there are abnormalities found in the product within the lifetime, disconnect the power immediately and contact your dealer. Using the product with abnormalities may cause fire or electrical shock.
- When the product is used in a snowy area, remove the snow to prevent the product from being buried in snow.
- Dirt on the product can reduce efficiency. It is recommended to clean the product by yourself once a year.
- Conduct self-inspection at least once a year for safety.
- Have the product inspected by experts at least once every three years. (A product used for more than three years requires a thorough inspection.) Using the product with abnormalities may cause smoking, fire, electric shock or fall of the product.
- LED has dispersion in brightness and light color. The product may have different light color and brightness even among products with the same model number.
- Please note that unevenness of the projected light may be noticeable depending on the irradiation distance or the condition of the irradiation surface.
- Do not install in places where the product will undergo sudden cooling or heating, which may cause condensation inside the product.
- Do not modify or add parts to make water gather around the vent filter.
- Do not deliberately touch or remove the breathing cap and the screws attached to the back of the product. It may cause waterproofness to be impaired.

**Cleaning**

- Be sure to turn off the power before cleaning the equipment. The equipment is hot immediately after the power is turned off. So, wait for a while (about 20 to 30 minutes) to cool before cleaning.
- When cleaning the outer surface of the equipment or the cover, use a soft cloth soaked in water or neutral soap water and well squeezed.
- Do not use volatile substances, such as thinner and benzine, or acid-alkaline detergent for cleaning. Using such substances may cause discoloration or deformation.
- Do not spray water directly on the equipment with a hose or the like. Also, do not perform cleaning with a mop, a deck brush, or the like. Doing so may cause flooding or damage to the equipment.

**Warranty**

- Immediately after delivery, you are requested to conduct an acceptance inspection to make the judgment of acceptance or rejection. If no special problems are raised, we will judge that the acceptance inspection has been passed after quality confirmation.
- For the warranty period, please check the period described on the warranty card. The warranty covers each single article delivered. It does not cover costs such as work fees and damage compensation incurred because of replacement work.
- The warranty does not cover failure caused by the following:
  - (1) Inadvertent handling and misuse
  - (2) Remodeling, disassembly, or repair by yourself
  - (3) Use under improper use environment and conditions
  - (4) Natural disasters (fire, earthquake, and typhoon)
  - (5) Water condensation that occurs when the product is used out of the use and preservation temperature conditions specified in the specification sheet
  - (6) Electrical stress, such as excessive voltage surge, including lightning
- If the cause of the failure cannot be identified, negotiations shall be conducted between the two companies.
- The application of this product is intended as a lighting or light source. We shall not assume any responsibility for any damage caused by use under an application not intended by us.

**Exchange**

- During the warranty period, contact the retailer (construction shop) where you purchased the product with an item that can specify the delivery date.
- If the warranty period has expired, consult your dealer (construction shop). We will exchange it for a fee on request.
- If you have any questions about after-sales service or consult about replacement, please contact the retailer where you purchased the product (construction shop) or our sales office below. In that case, please let us know the product name and the time of purchase.

**Contact**

- Please contact us after confirming the product name on the nameplate.
- Phone number and address may change. Please confirm the website.

**STANLEY ELECTRIC CO.,LTD.**

Yokohama Satellite Center: 2-14-1 Edanishi, Aoba-ku, Yokohama-shi, Kanagawa, 225-0014 Japan

TEL : +81 45 910 6629

URL: <http://www.stanley.co.jp/>

**Headquarters:** 2-9-13 Nakameguro, Meguro-ku, Tokyo, 153-8636 Japan

TEL : +81 3 3710 2222